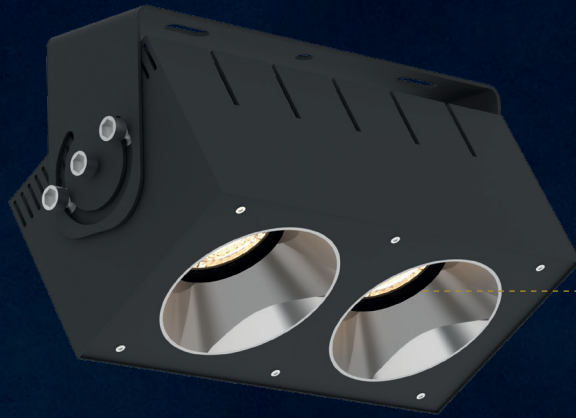


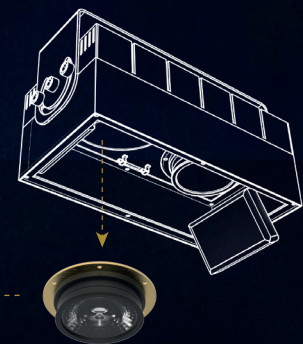
# NOVA

## HIGH BAY SERIES

A series of adjustable high bay luminaires designed for extremely high ceiling structures of 10m and beyond. Incorporating ELR's signature modular concept design, LED modules are fully interchangeable with choices to illuminate high ceiling spaces with optimum brightness.



Achieving an average of >300 lux from up to 19m height



Future proof with upgradeable module

### Fixture Features



IP65

### Module Colour Temperature Variation



ProART ProART98

### Beam Angle



### Driver Dimming Variation



(ND)



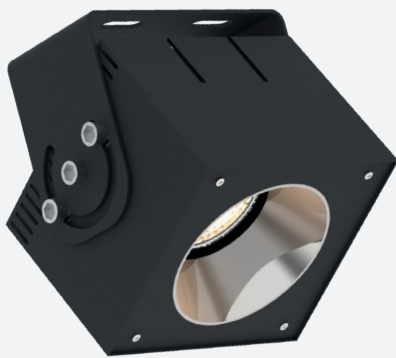
(AN)



(DA)

# NOVA 6

SURFACE MOUNTED ADJUSTABLE HIGH BAY LUMINAIRE



#UNO



#DUO

## TECHNOLOGY AND FEATURES



Advanced Thermal Protection System



Low Flicker, No Risk (IEEE 1789)



Converging Optical Lens Maximising LOR

AVAILABLE OPTIONS

<p><b>FIXTURE COLOUR OPTIONS</b></p>	<p>Trim Colour Options</p>	<p>Reflector Colour Options</p>		
		<p>MATT WHITE RAL9003</p>	<p>MATT BLACK RAL9011</p>	<p>CHROME</p>
	<p>MATT WHITE RAL9003</p>			
	<p>MATT BLACK RAL9011</p>			
<p>ACCESSORIES</p>				
<p>LED MODULE</p>				
<p><i>*ProART98 option is not available with 500PLE LED Engine.</i></p>				
<p>DRIVER DIMMING</p>				

# NOVA 6

## SPECIFICATIONS

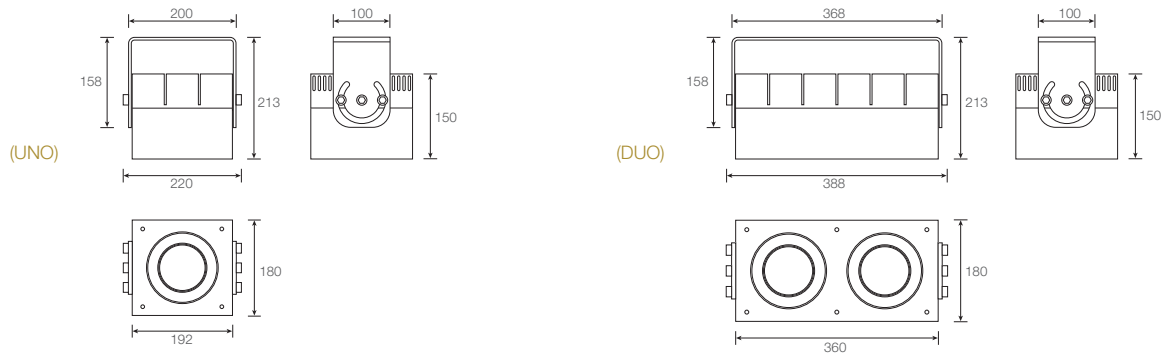
### FIXTURE

Family Type	Nova series
Fixture Colours	Matt white, matt black
Reflector Colours	Matt white, matt black, chrome
Fixture Materials	Aluminium
Accessories	Honeycomb anti-glare louvre, soft lens, linear spread lens
Ingress Protection	IP40
Weight	~4.3kg (Nova 6 Uno), ~8.2kg (Nova 6 Duo)

### LED MODULE & DRIVER

Compatible LED Modules	500 and 300 series LED engines
Lifetime	Up to 50,000 hours L80 lamp life with LM80 tested LED chip packages
Beam Angles	15°, 35°, 60°
Colour Temperatures	2700K, 3000K, 3500K, 4000K, 5000K
CRI	High Efficiency (CRI~85), ProART (CRI~95), ProART98 (CRI~98)
Driver (Dimming)	Non-dim, 0-10V, DALI

## DIMENSIONS (MM)



# NOVA 6

## PHOTOMETRICS

### NOVA 6

Height (m)	E(0°)	E <sub>max</sub> (lx)			ELR LED Module				500PLE	300PLE	
		15°	35°	60°	LED Power		System Power				
1	E(0°)	46299	15286	5962					54W	36W	
	Cone Ø (m)	0.27	0.61	1.09					62W	43W	
2	E(0°)	11575	3821	1491	Luminous Flux (lm)	Single CCT (3000K)	15°	High Efficiency Ra-85	6110	4042	
	Cone Ø (m)	0.54	1.22	2.17				ProART Ra-95	5194	3436	
3	E(0°)	5144	1698	662			ProART98 Ra-98		2829		
	Cone Ø (m)	0.81	1.83	3.26			High Efficiency Ra-85	6110	4042		
4	E(0°)	2894	955	373			ProART Ra-95	5194	3436		
	Cone Ø (m)	1.08	2.45	4.34			ProART98 Ra-98		2829		
5	E(0°)	1852	611	238			High Efficiency Ra-85	6240	4128		
	Cone Ø (m)	1.35	3.06	5.43			ProART Ra-95	5304	3509		
									ProART98 Ra-98		2890

Correction Factor: 500PLE - f = 1.00  
300PLE - f = 0.66

Data are based on 3000K (ProART CRI-95). Nominal data of 2700K and 3500K are shared with 3000K. Higher CCT of 4000K and 5000K will have a nominal data value of 5% higher than published. (f = 1.05)  
High Efficiency CRI-85 will have a nominal data value of 15% higher than published. (f = 1.17)  
ProART98 CRI-98 will have a nominal data value of 8% lower than published. (f = 0.92)

Nominal CRI-85, equals to Ra>80-87, R9>0  
Nominal CRI-95, equals to Ra>90-97, R9>50  
Nominal CRI-98, equals to Ra>97-98, R9>93

## ORDERING MATRIX CHART

Fixture												
Type	Head		Shape		Angle		Colour		Reflector Colour		Accessories	
NOVA-6	U	Uno	SQ	Square	TL	Tilt	WH	Matt White	WH	Matt White	N	None
	D	Duo					MB	Matt Black	MB	Matt Black	AGL	Anti-Glare Louvre
									CR	Chrome	SL	Soft Lens
											LSL	Linear Spread Lens

Single CCT LED Module								Driver	
LED Power		Beam Angle		Colour Temp		CRI		Dimming	
ELR500PLE	54W	15	15°	27	2700K	HE	Ra-85	ND	Non-Dim
ELR300PLE	36W	35	35°	30	3000K	PA	ProART	AN	0-10V
		60	60°	35	3500K	PP	ProART98	DA	DALI
				40	4000K				
				50	5000K				

\*ProART98 option is not available with ELR500PLE LED Engines.

example: NOVA-6.U.SQ.TL.MB.CR.ELR500PLE.35.30.PA.DA

\*Custom RAL colour options available.